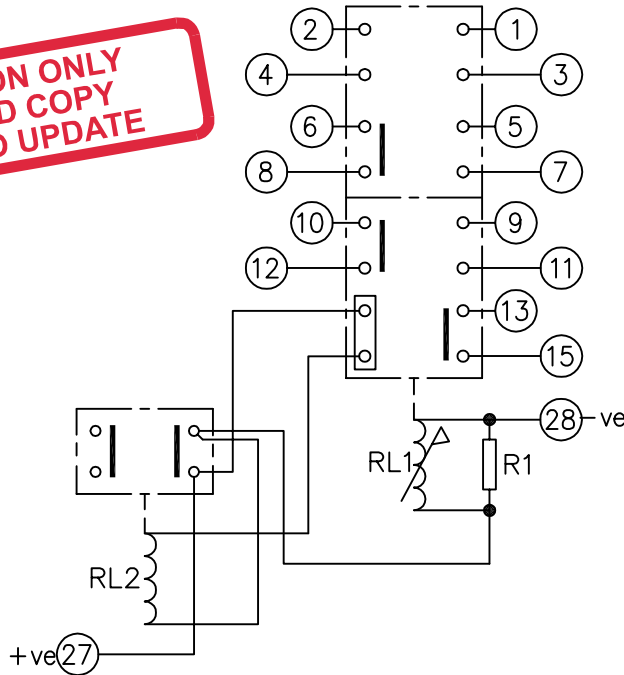


LOOKING ON FRONT OF RELAY

2112W50039

**FOR INFORMATION ONLY
UNCONTROLLED COPY
NOT SUBJECT TO UPDATE**

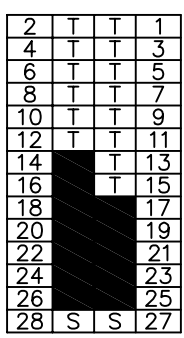


KEY	R1		390R 2102C35391		2X100R IN SERIES 2102C41101				
	Vdc	24	30	48	60	125	240		
○ ○	make contact								
⊠	break contact								
⊠ ○ ○	c/o contact								
②	ext. conn								
⌋	plug bridge - shorting								
⊙	metering point								
⌋ - - ⌋	5Kv barrier								
⊠	test socket - shorting								
⊙	plug & socket								
	CONTACT CONFIG.	1-3	2-4	5-7	6-8	9-11	10-12	13-15	
	7M	M	M	M	M	M	M	M	
	6M 1B	M	B	M	M	M	M	M	
	5M 2B	B	B	M	M	M	M	M	
	4M 3B	B	B	B	M	M	M	M	
	3M 4B	B	B	B	M	B	M	M	

NOTE:
1. CONTACT CONFIGURATION ABOVE IS REQUIRED FOR RELAY OPERATION. FOR DETAILS OF VARIABLE CONTACT OPTIONS SEE TABLE OPPOSITE.
2. RESISTOR R1 IS FITTED ONLY WHEN REQUIRED. SEE TABLE ABOVE.

FRAME REFERENCE: E4FS05.
FRAME TERMINAL BLOCK ASSY: -

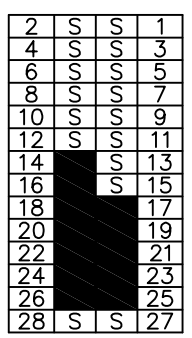
ASSEMBLY INSTRUCTIONS: -
TYPICAL ASSEMBLY DRAWING 2995G10032.
AT INDICATED POSITIONS FIT AS FOLLOWS:
T - FIT TRIP ISOLATION CONTACT 2995B10053
S - FIT STANDARD CONTACT 2995B10054
SECURE CONTACTS USING FIXING SCREW 2109F99009.
POSITIONS SHOWN BLANK ARE UNUSED



VIEW FROM NUMBERED SIDE OF BLOCK

OUTER TERMINAL BLOCK ASSY: -

ASSEMBLY INSTRUCTIONS: -
TYPICAL ASSEMBLY DRAWING 2995G10029.
AT INDICATED POSITIONS FIT AS FOLLOWS:
S - FIT STANDARD CONTACT 2995B10051
HC - FIT 'HEAVY CURRENT' KIT 2995G10030
WHERE ○ ○ IS SHOWN FIT CT SHORTING KIT 2995G10031
POSITIONS SHOWN BLANK ARE UNUSED.
ALL POSITIONS FIT SCREW 2106F12506.



VIEW FROM INSIDE FACE

			Title: T.B. AND WIRING DIAG. FOR TR223-7 RELAY IN EPSILON E4 CASE.		First used on:	
					Similar Articles:	
					Supersedes:	
4 RDW	14/11/05	MN112/2744	Reyrolle Protection Hebburn.		Original Scale. . 2112W50039	
3 RDW	10/4/03	MN112/2518				
2	27/04/00	MN995/09				
ISSUE	DATE	MOD.No.				
DRAWN: A.LAW.		CHECKED:	APPROVED: R.D.WATSON	DATE: 16/07/02	Copyright © 1998 Reyrolle Ltd	